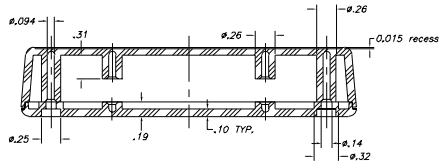
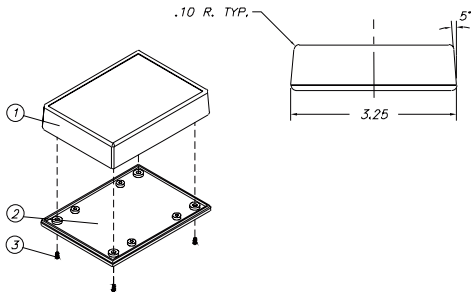
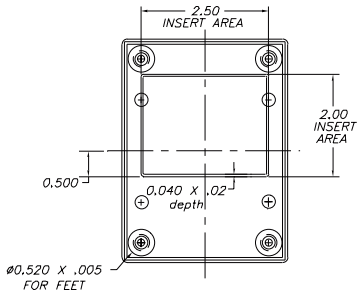
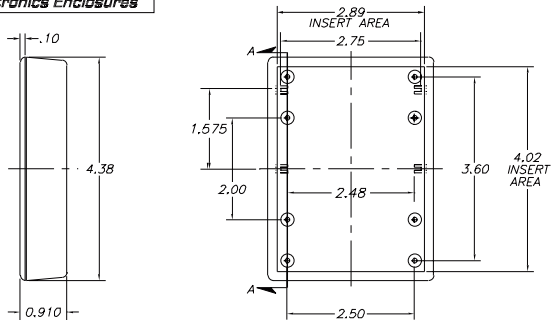


# SERPAC 031-1

Electronics Enclosures

NOTES:  
1. WHEN MACHINE OR I PLATES MODIFICATIONS ARE REQUIRED,  
USE THE CENTER OF THE BOX TO DIMENSION.



SECTION A-A

8-17-98.

ALL DIMENSIONS ± .010

ITEM	PART NO.	DESCRIPTION	ACCESSORIES	
			PART NO.	DESCRIPTION
1	311	PLASTIC TOP	51	FEET
2	03	PLASTIC BOTTOM	330	PROTOTYPE GRID BOARD (HORIZ.)
3	6005	SCREWS (4)	430	PROTOTYPE CLAD BOARD (HORIZ.)

619 Commercial Ave. Covina, CA 91723

(626) 331-0517 Fax (626) 331-8564 <http://www.serpac.com>